



AL-NAJM AL-THAQIB CO.
ONSHORE AND OFFSHORE PROJECTS

*Our Vision to be a regional leader
in Marine, Offshore and Industrial sector*



Letter from GM

"To embark on a journey of success one needs the tools of preparedness, foresight and strategy. These lead to the path of growth and high quality operation. It is imperative to combine these three forces in an industry.

Gearing up for the future, we have the key success factors necessary to withstand the winds of change. The encouragement provided to build a highly skilled and creative research and hard working members team, which is reinforced by the state-of-the-art infrastructure.

We have the excellent and dedicated staffs, who deals with , the ultimate power. to maintain the quality of services and standard of things we deal in, to enhance customers satisfaction and our performance, to be one of the best in the business we are in, so we walk side by side with the performers.

The success and eminence of Al Najm AL Thaqib EST. began as the dream of one man extended to be transformed into the dream of many. We strive to accomplish our dreams and goals to bring greater effulgence in the future."

THANKS

BASIL AL HANBALI



Vision

We are committed to provide world-class service to our Customers and to achieve this we maintain a disciplined and well trained multi-national workforce consists of Manufacturer trained Engineers and Technicians. We offer our products and services mainly in SAUDI ARABIA and BAHRAIN; however we are able to deploy our Specialist Engineers and Technicians anywhere in the world.

The main Ports we service are Jubail Industrial & Commercial Port, Abu-Ali Pier, Dammam Port, Al-Khafji Port, Tanajib/Safaniyah Pier, Manifa Pier, West Pier and Offshore Locations.

Mission

To be a regional leader in the marine field and expertise, and in the provision of quality services.

- To implement and continually improve performance of Quality Management System, which considers the quality of products and services at our yard and various other Industrial & Marine activities.
- To implement and continually improve process efficiency (reducing rework and waste of resources), communications, delivery time, customer relations, reduction of incidents, sickness / injury fires and explosions and other accidents.
- To meet all customer requirements in order to exceed customer expectations.
- To provide resources necessary to effectively implement this mission.
- To continually train, educate, evaluate and inform our employees and clients to ensure their competence on the job and in protecting and improving the quality.
- To ensure our activities comply with ISO 9001:2008 requirements and Laws of Saudi and all other international regulations and standards applicable to our business, to which we subscribe.
- To strive to prevent incident, injury and ill-health and pollution.

Safety and Life Saving

MARINE SAFETY EQUIPMENTS

- Supply and servicing of life rafts
- Supply and servicing of fire fighting systems
- Supply and servicing of breathing apparatus systems & EEBD
- Supply and servicing of life boat, fast rescue boat & rescue boat

MARINE LIFE SAVING EQUIPMENTS

- Supply and servicing of life jacket
- Supply and servicing of immersion suit
- Supply of thermal protective aid
- Supply of life buoy
- Supply of life jacket/buoy light
- Supply of life raft accessories as several packs
- Supply of Pyrotechnics



Navigation and Communication

MARINE ELECTRONICS SERVICES & SUPPLY

We assist our Marine & Industrial clients:

- To select suitable equipment.
- To select the most appropriate brand to meet specific needs
- By supplying selected equipments at the best price, promptly at the door steps.
- Through professional installation & commissioning of equipment through our highly competent and experience engineers / technicians.

By strong and dependable back-up support & efficient follow up of services.

- GMDSS Radio Installation:
- VHF, MF/HF Radio Telephone With DSC
- INMARSAT-C Fleet Broad Band
- Two Way VHF Radio Telephone
- SART (Search & Rescue radar Transponder)
- EPIRB & Navtex Receiver
- Radar
- Global Positioning System GPS
- Echo Sounder
- Meteorological Equipment
- Speed Log
- Auto Pilot
- AIS
- Navtex
- Gyro and Magnetic Compass
- ECDIS

RADIO SURVEYS

We Conduct Survey of On-board GMD SS Radio Installations; On behalf of following Classification Societies:

- ABS
- BUREAU VERITAS (BV)
- NIPPON KAIJI KYOKAI (NKK)



Electrical & Instrumentation Control

ELECTRICAL

- Main Switch board panels repair/service
- Electrical Motor Starter Panel repair/service
- Towing winch, Anchor Winch - Electrical Control system repair
- Galley electrical stove repairs
- AC/DC Power distribution repair and new installation
- Electrical Low insulation / Short troubleshooting and repair
- Electrical Motors, Generators, and Transformers service and rewinding
- Emergency generator, Emergency LT, Operating Systems repair

- breathing air cascade system
- Supply and installation of bridge navigation watch alarm system
- Supply and installation of anchor chain counter system

CALIBRATION FACILITY

- Electronic Instruments
- Temperature & Pressure Instruments
- Level / tank gauging Units
- Fixed and Portable Gas Instruments
- Breath Alcohol Instruments
- We also undertakes on-site Calibration of process Instruments

INSTRUMENTATION/CONTROL

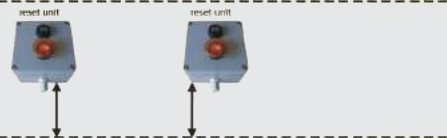
MARINE / INDUSTRIAL SECTOR

- BOILER AUTOMATION
- M/E MONITORING/CONTROL SYSTEM
- Generator alarm and Protection System
- COP Temp. Monitoring System
- Cargo Oil Pump AUS System
- Pump Room Monitoring System
- Gas Analyzers/Toxic Gas Monitors
- Ballast Tank/Void Spaces Hydrocarbon Monitoring System
- Atmospheric/Engine oil mist Detection System
- Oily water separator/Bilge alarm System
- Telephone System/P.A. System
- Inert Gas System
- Engine room Control Loops (temp, Press. & level)
- Auxiliary Engine and Main Engine Fuel oil Viscosity control system
- Fire alarm System
- Marine Propulsion Control System with CPP, Joystick and Steering system
- Sewage treatment plant control system
- Main Engine Pneumatic control system
- Pneumatic/Electrical Valve Actuator
- Service/Repair/Calibration
- Design, supply, and installation of





Bridge Wings



Bridge Area

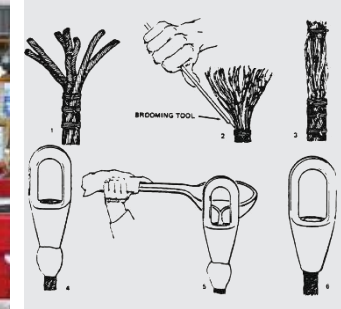


Crew Area



Lifting Equipment Services

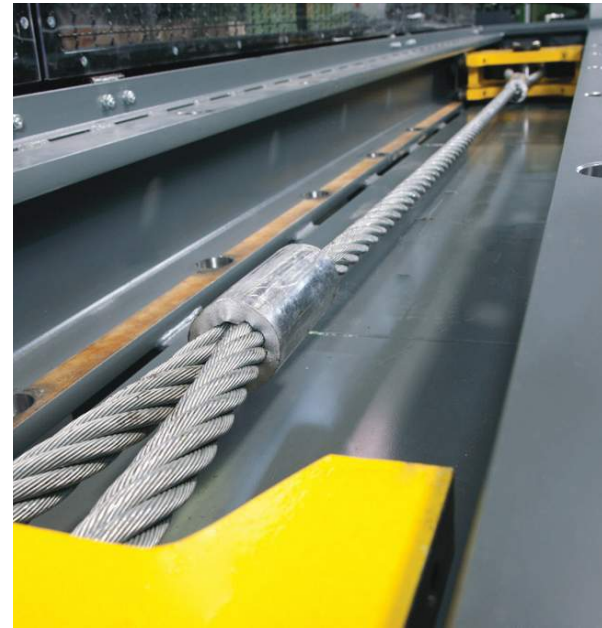
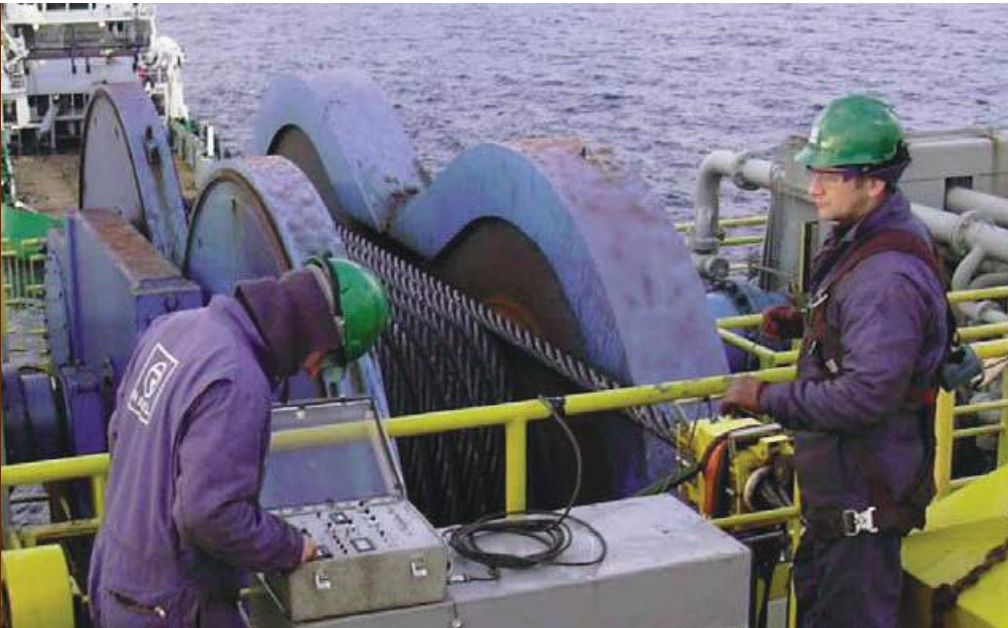
- Lifting Equipment Examination
- Wire Rope Socketing Work
- Bollard Pull Test Service
- Lifting Appliances and Accessories Supply / Rental
- Load cells Supply / Rental



SP **straightpoint**[®]
world leaders in load monitoring technology



Steel Wire Rope Destructive Test

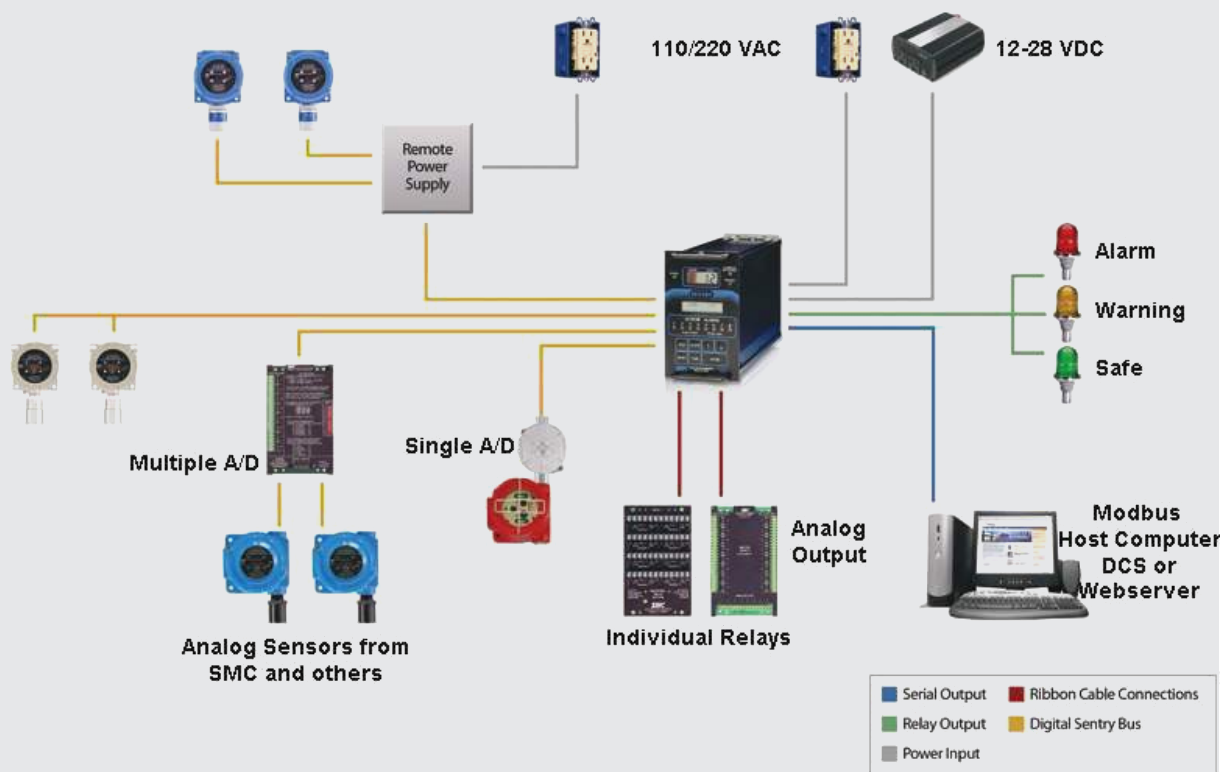


UT Thickness
Gauge Service

Non-Destructive
Tests Service



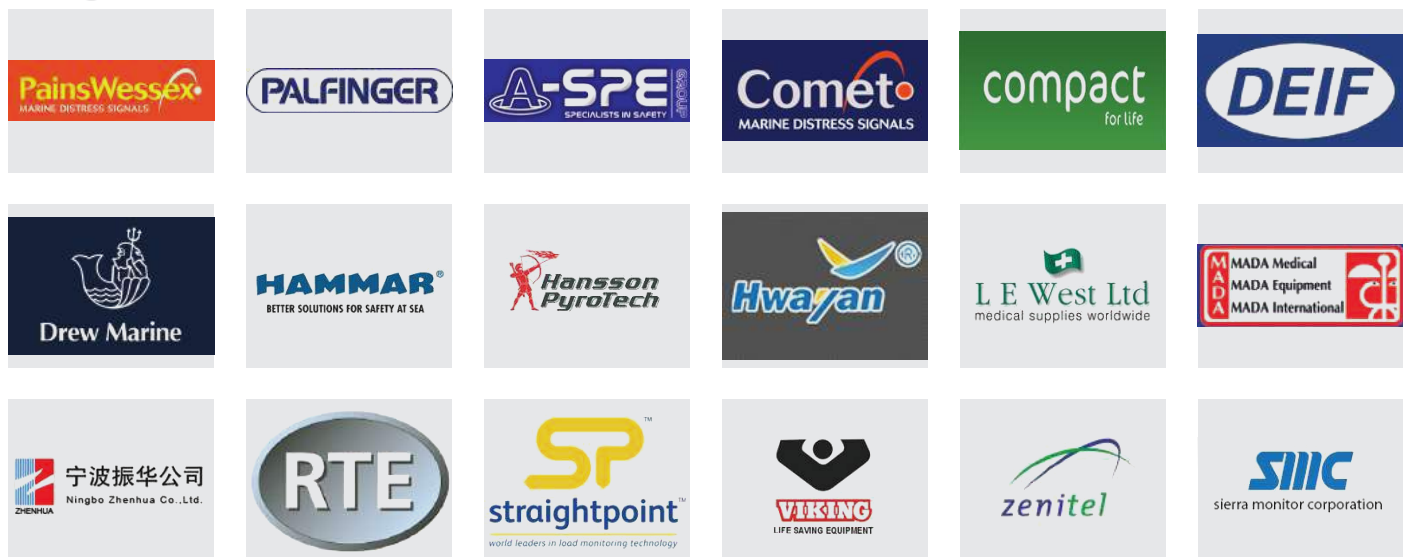
Gas Detection System



Certificates



Agencies



P.O Box: 74, Jubail 31951,
Kingdom of Saudi Arabia
Tel: +966 3 361 7065
+966 3 361 7004
+966 3 361 7005
Fax: +966 3 361 7066
Email: info@nteprojects.com
Website: www.nteprojects.com

